

MH SNK EF C

MANHATTAN Tap Range

Manhattan Easyfit Mono Sink Mixer Chrome



Features:

- Long life and easy to use 1/4 turn ceramic disc valves
- Metal fixing nut for added durability
- Easyfit base included
- Flexible tails included

Specify As:

Bristan "MH SNK EF C" Manhattan Easyfit Sink Mixer with paddle handles and 1/4 turn ceramic disc valves. Supplied with patented Easyfit system, 15mm flexible inlet tails and inline isolation valves. Product is WRAS Approved with a 5 year warranty. Manufacturer: Bristan Group Limited. Contact Details: contractenquiry@bristan.com

Product Certifications:



WRAS Cert. Number: 1507950
WRAS Expiry Date: 31/07/2020



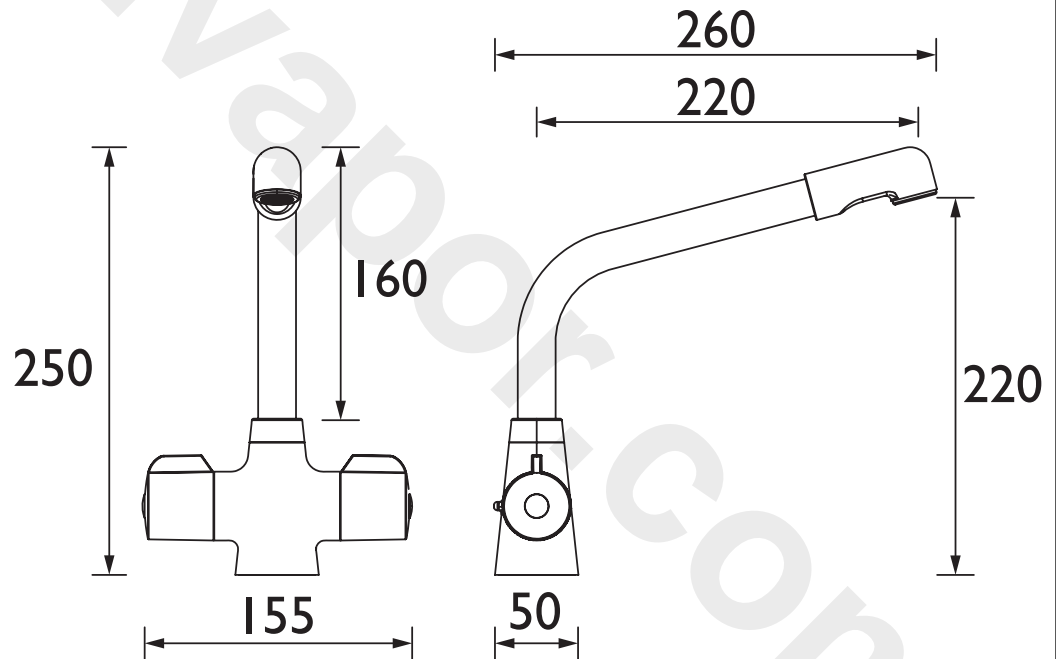
For more products, visit our website:
<http://www.bristan.com>



Specification

| | |
|--|-----------------------------------|
| Product Type: | Kitchen Tap |
| Main Construction Material: | Brass and Stainless Steel |
| Mount Type: | Deck Mounted |
| Handle Type: | Paddle Handles |
| Connection Inlet: | 1/2" BSP Flexible Tails |
| Connection Outlet: | M24 Flow Straightener |
| Number of Tap Holes: | 1 |
| Valve/Cartridge Type: | 1/2" Ceramic Disc Valve |
| Plumbing System Requirements: | Suitable for all plumbing systems |
| Minimum Dynamic Pressure: | 0.3 Bar |
| Maximum Dynamic Pressure: | 5.0 Bar |
| Maximum Hot Water Temperature: °C | 60 |
| Maximum Static Pressure: (bar) | 10 |
| Flow Type: | Single Flow |
| Isolation Included: | Yes |

Dimensions (measurements in mm)



Flow Rates (l/min)

| System Pressure (bar) | 0.3 | 0.5 | 1 | 2 | 3 | 5 |
|-----------------------|------|------|------|------|------|------|
| MH SNK EF C | 12.9 | 13.7 | 18.8 | 27.2 | 33.6 | 43.4 |

TECHNICAL DATA SHEET



BRISTAN

D8